

BottleBag Beach (English)

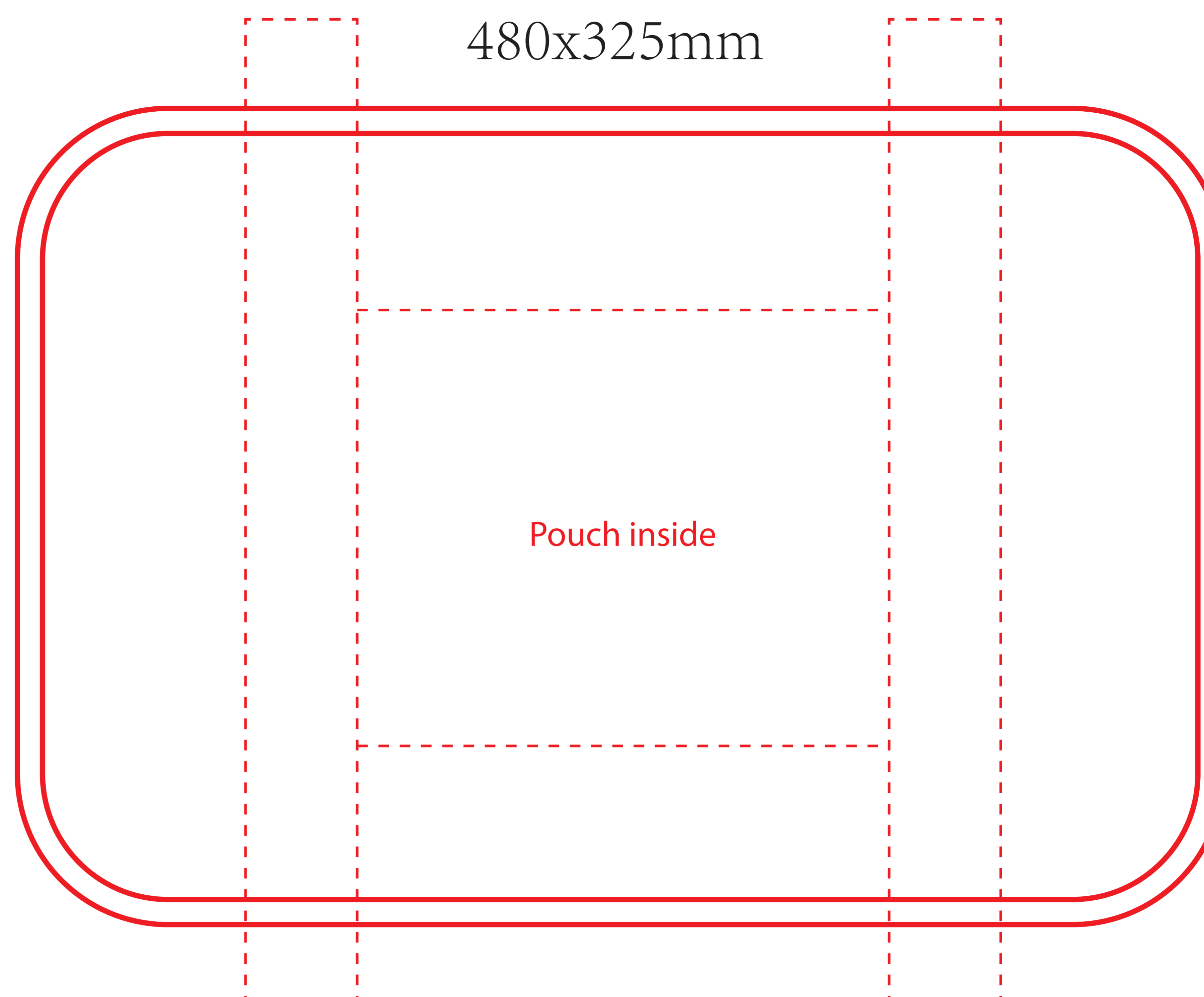
Front

480x325mm

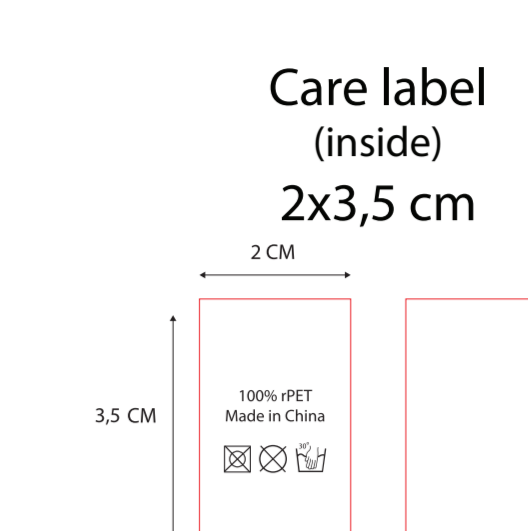


Back

480x325mm

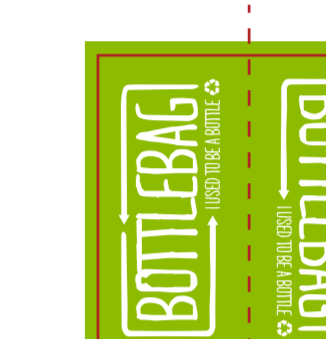
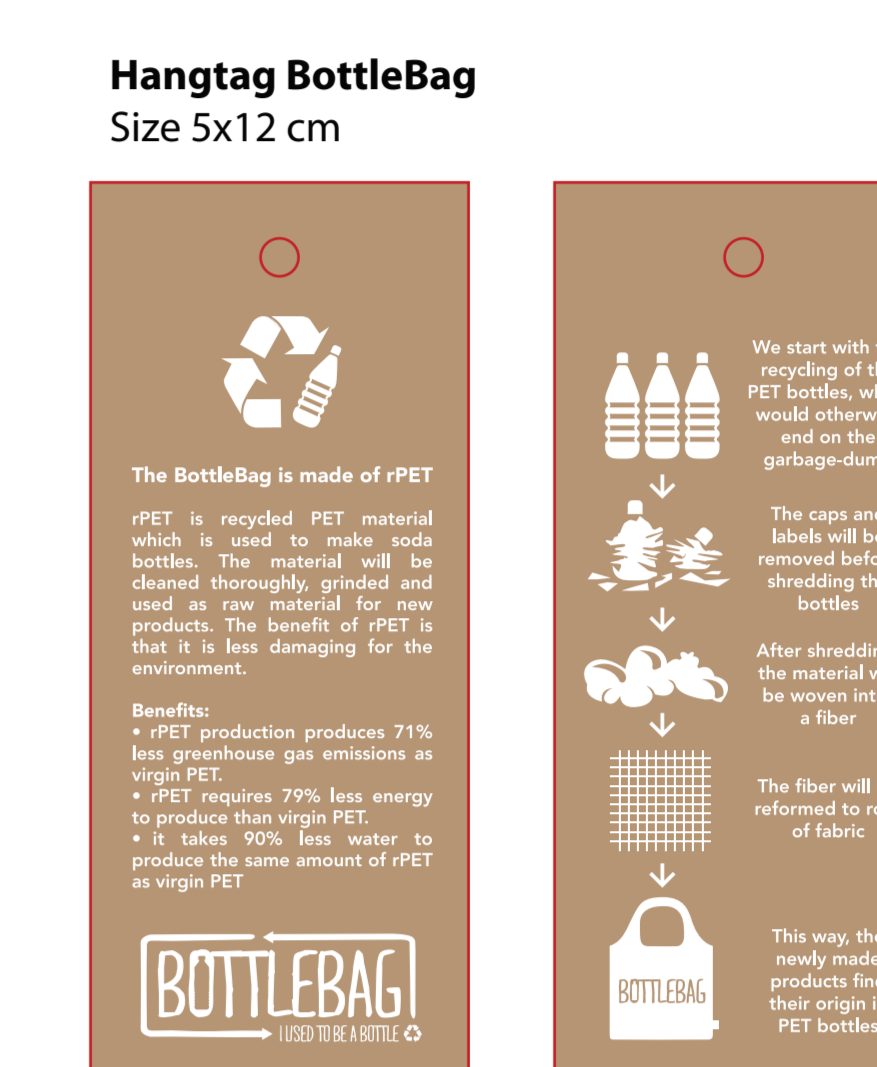


Bag colour: CMYK/FC, PMS: XXXX
 Print colour: CMYK/FC, PMS: XXXX
 Side label colours: PMS: 376, White



Handles colour: PMS: 376

Material Hangtag BottleBag: Kraft, Non-kraft

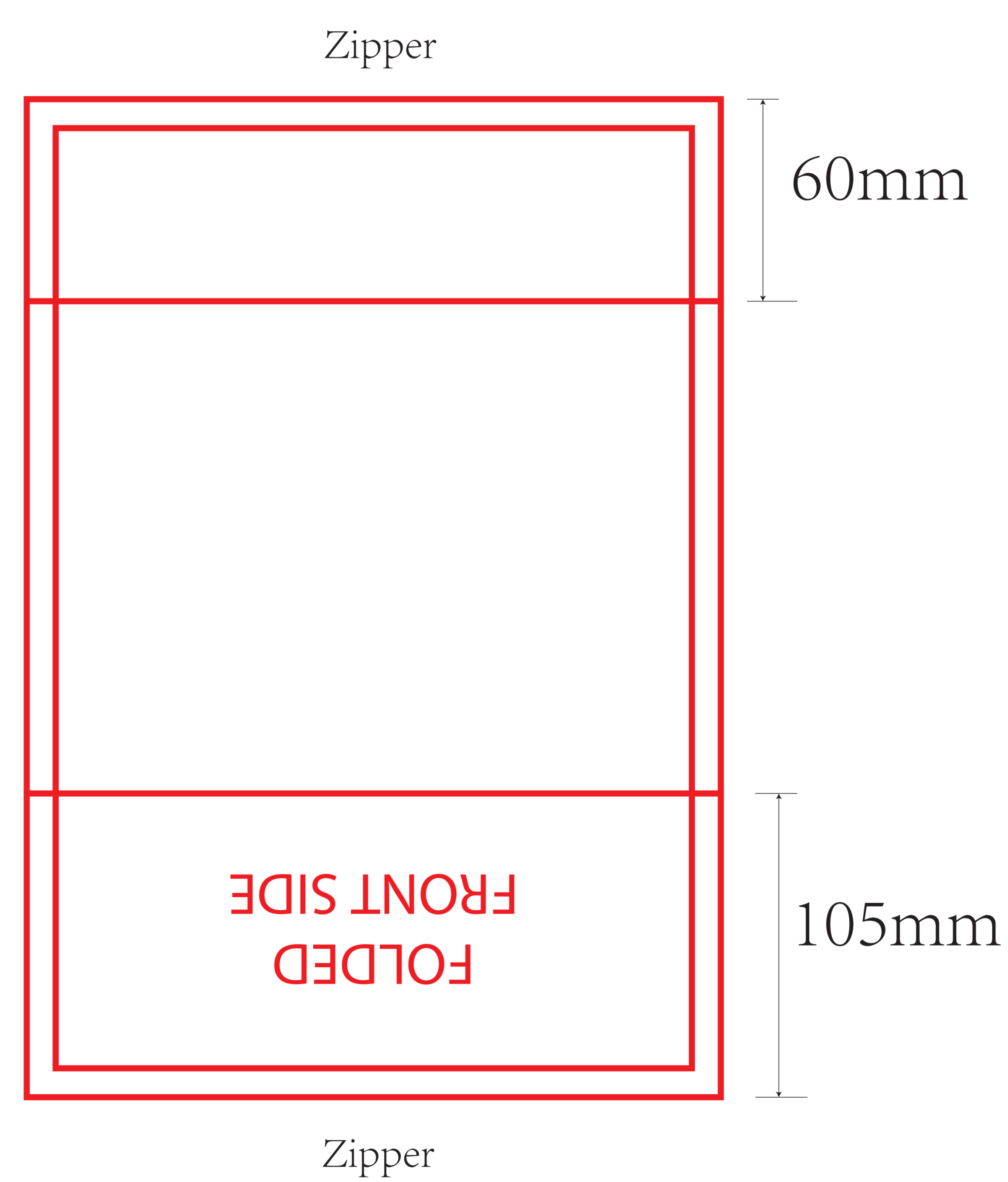
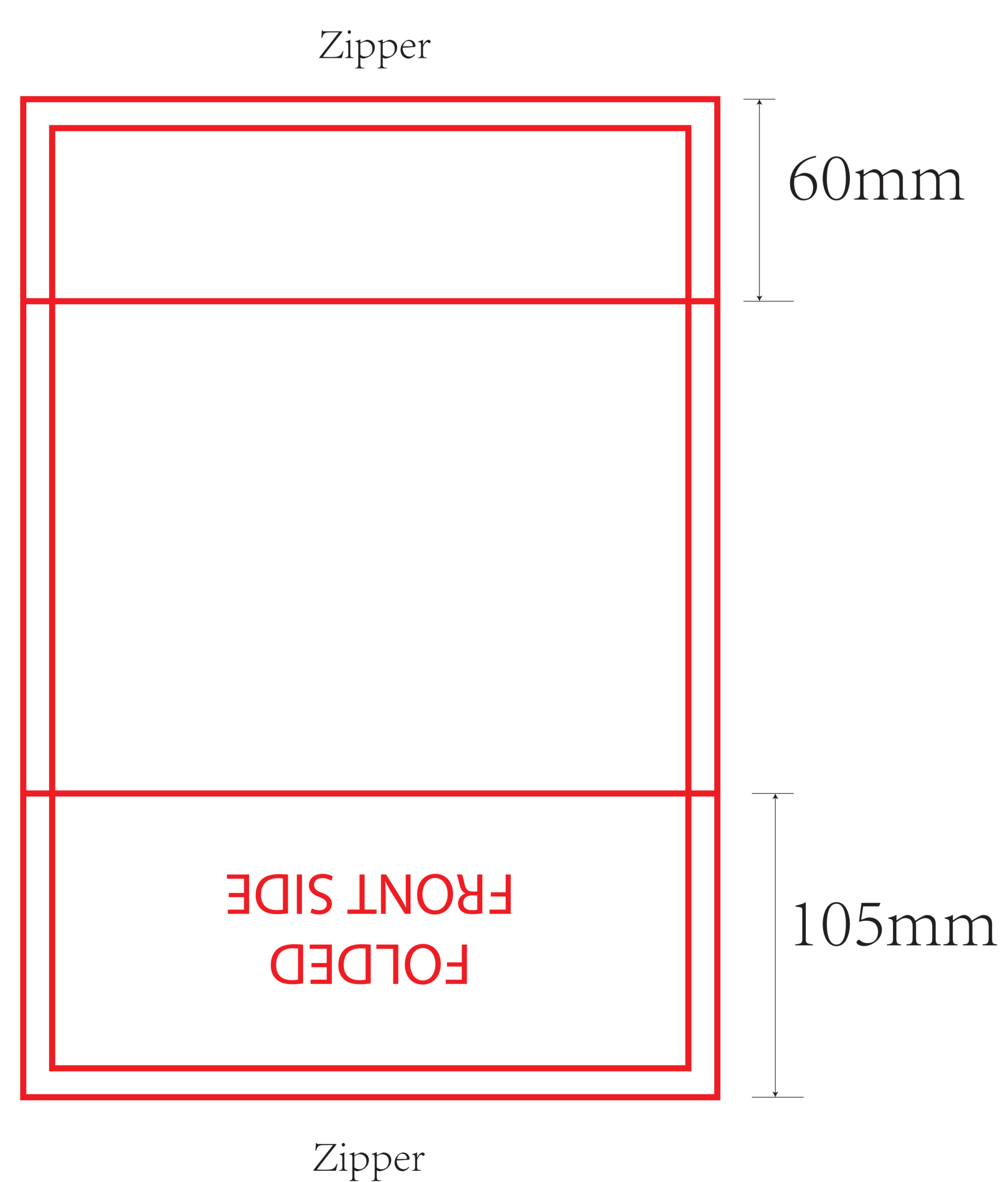


A: Tolerance of placing graphics on the bottlebag is +/- 10 mm.
 B: We are not able to match Pantone color on CMYK artwork.
 C: Minimum readable size of fonts is 8 pt.
 D: Physical sample for approval is possible with acceptance of surcharge of € 50,00
 E: We are not able to match Pantone color on woven side label.
 F: Size of the bag will be 45 cm x 68 cm when assembled.

345x240mm

Pouch outside

Pouch inside



700x120mm



Top left

700x120mm



Top right

850x230mm



Bottom bag