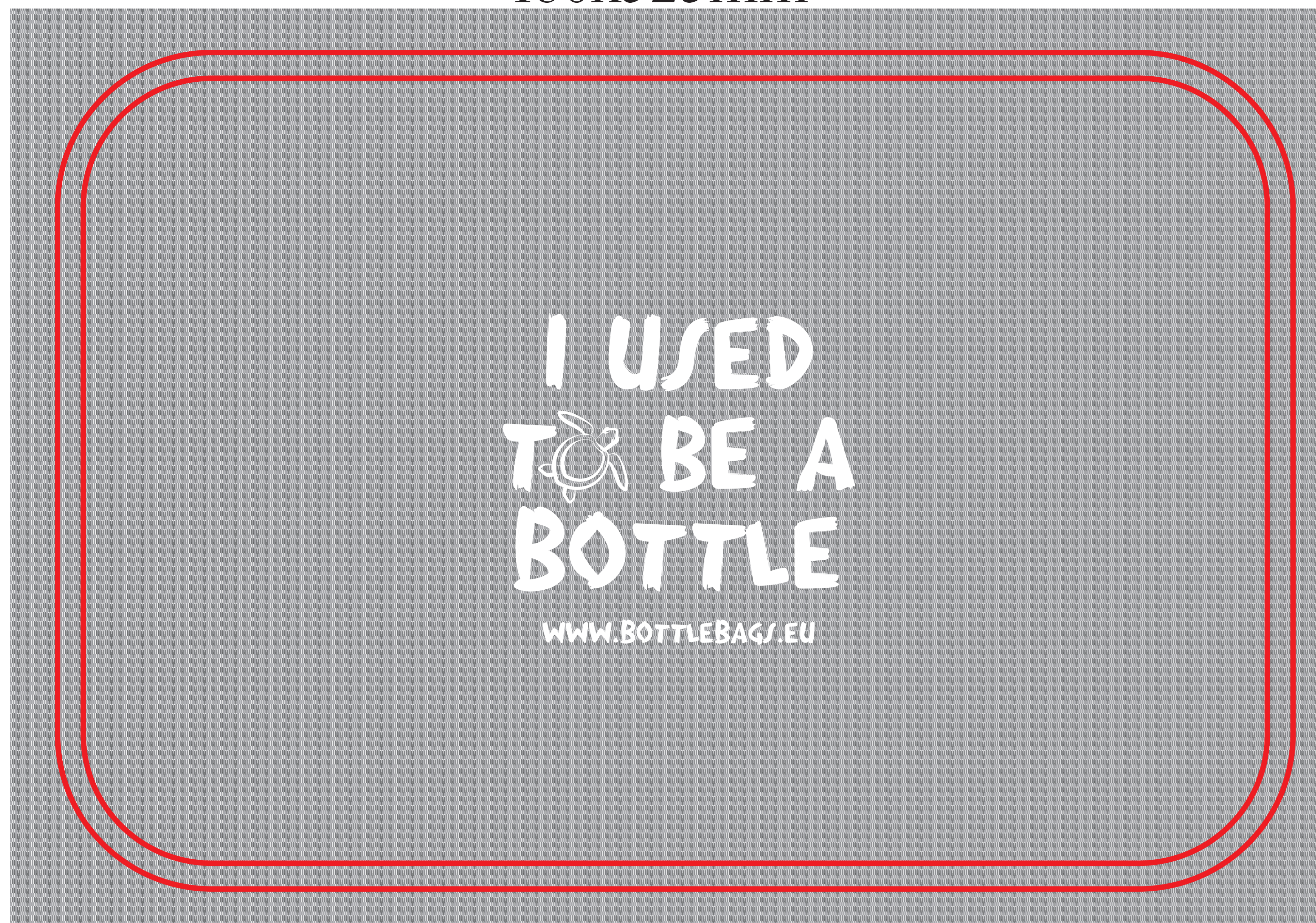


BottleBag Beach Duotone (English)

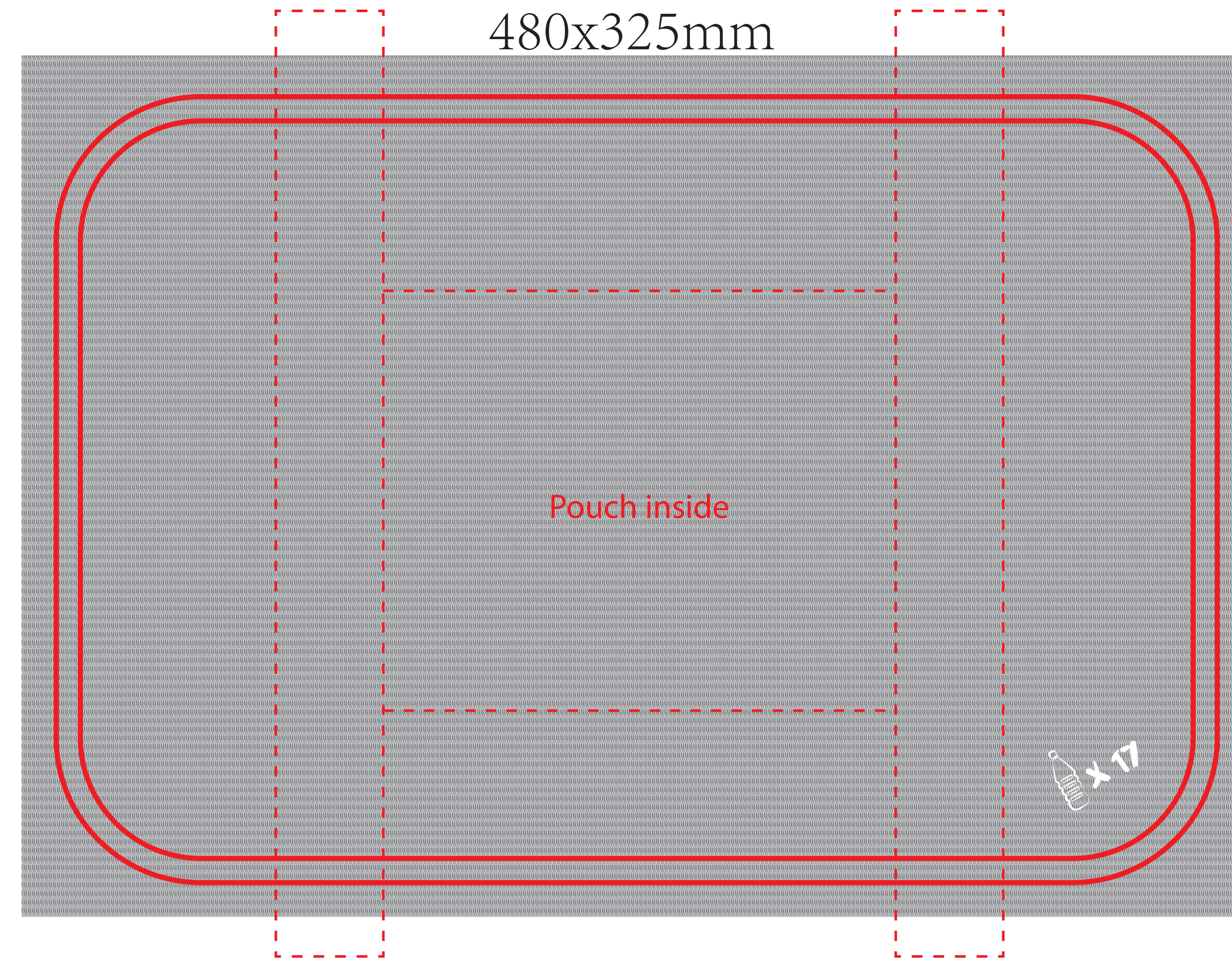
Front

480x325mm

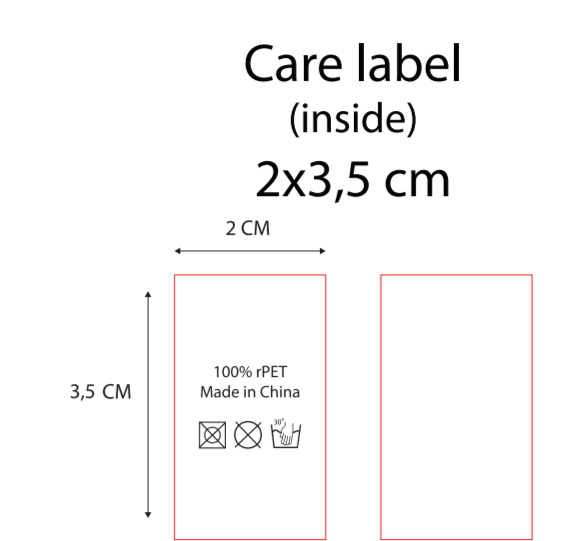


Back

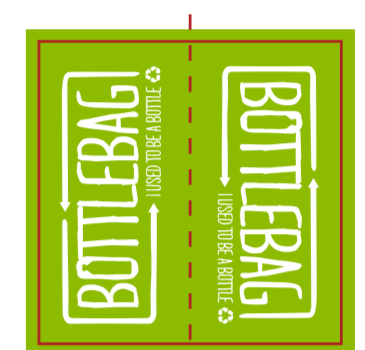
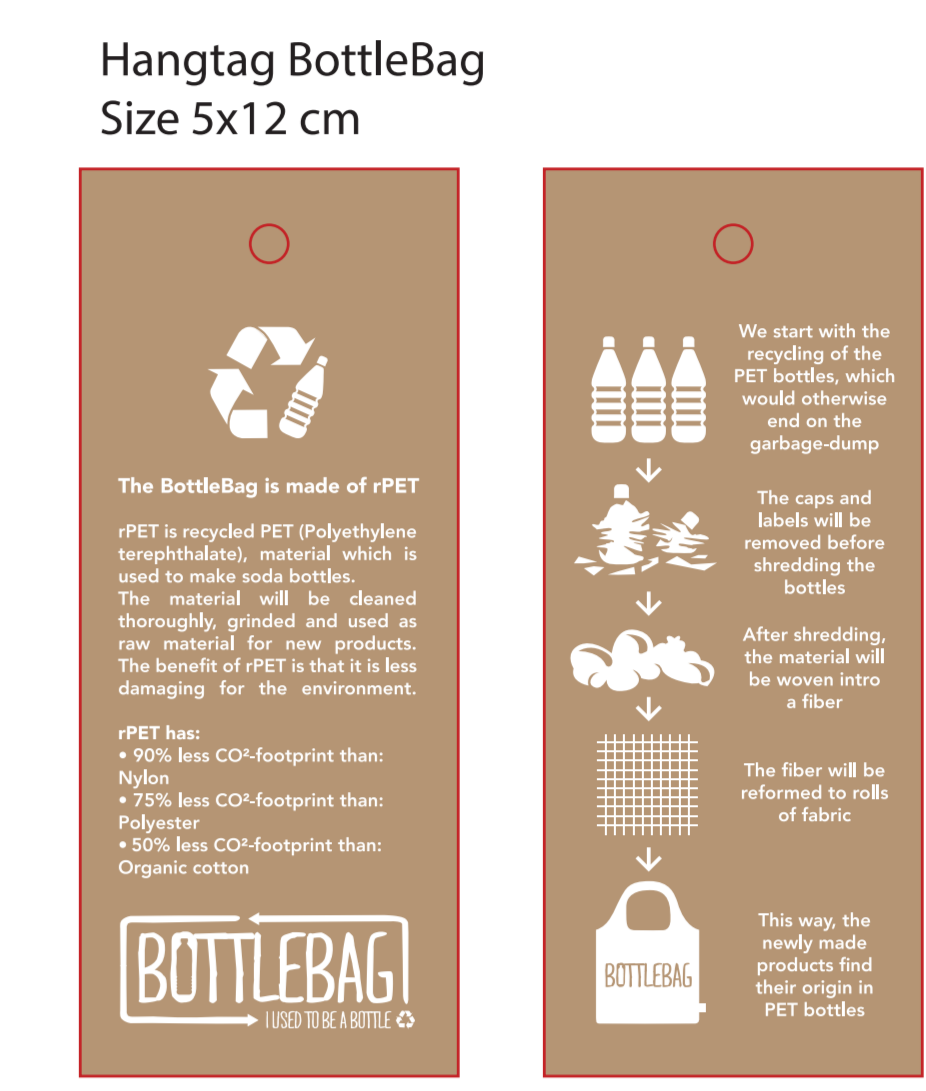
480x325mm



Bag colour: Duotone
 Print colour: White
 Side label colours: PMS: 376, White



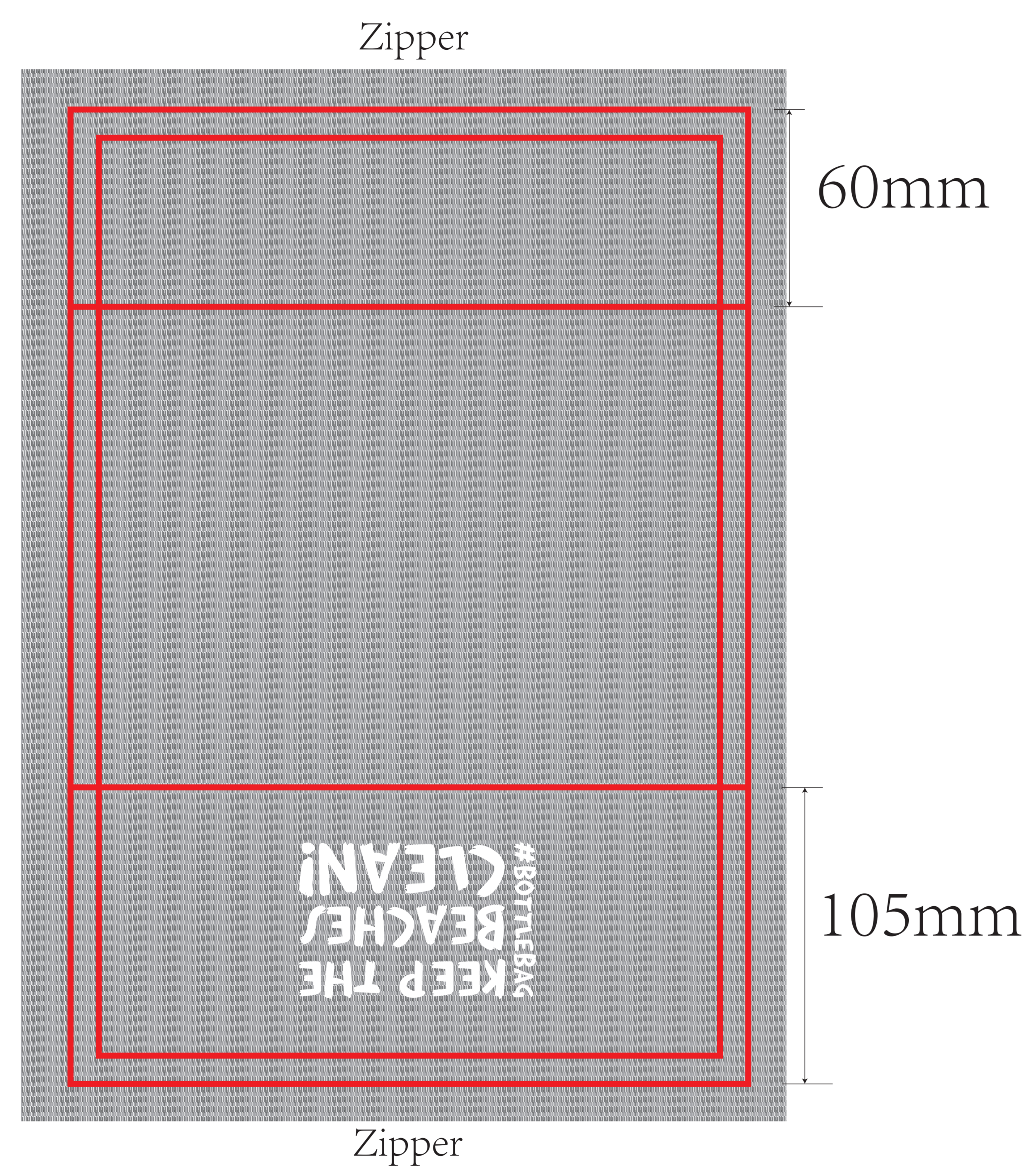
Material Hangtag BottleBag: Kraft, Non-kraft



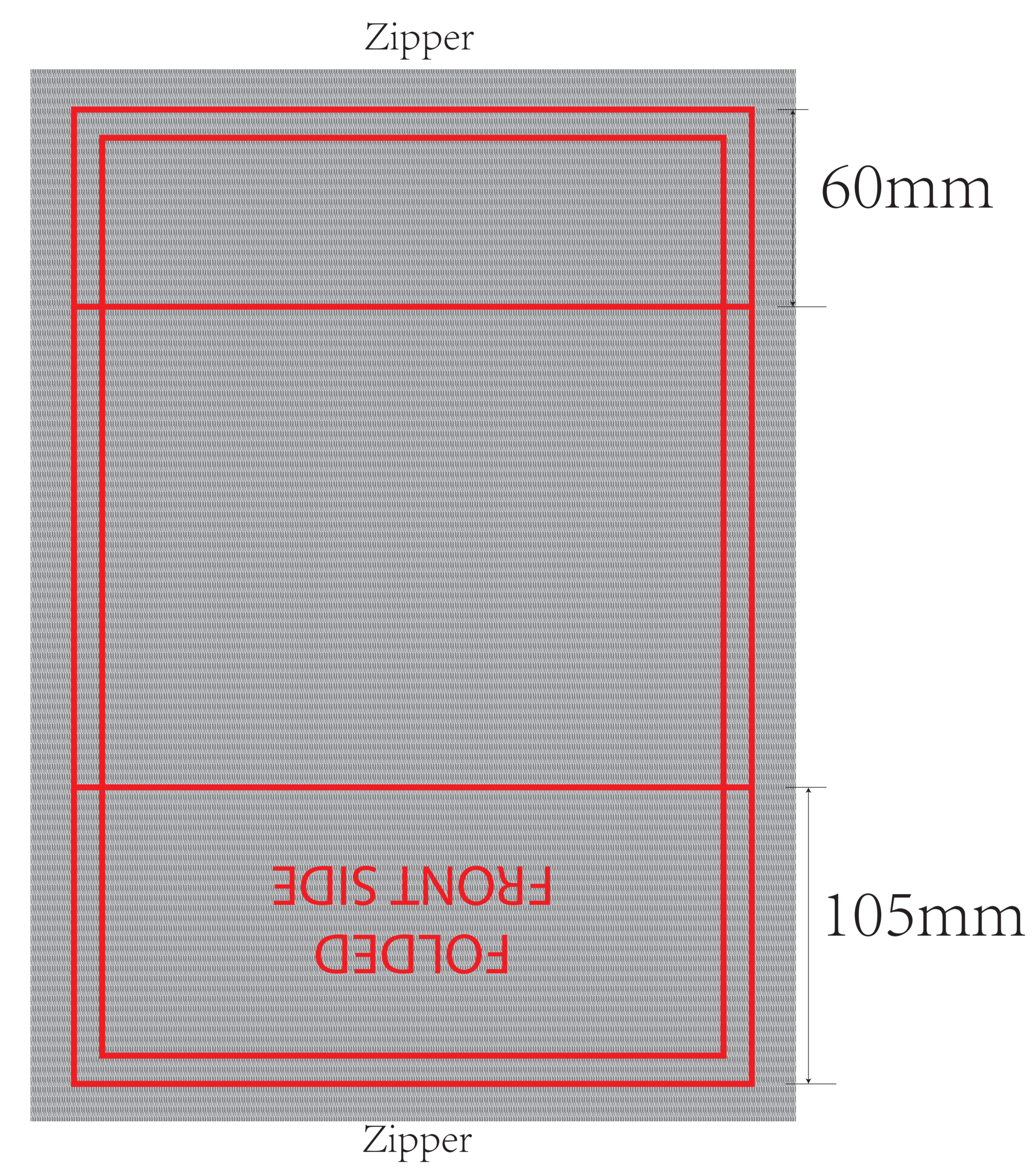
A: Tolerance of placing graphics on the bottlebag is +/- 10 mm.
 B: We are not able to match Pantone color on CMYK artwork.
 C: Minimum readable size of fonts is 8 pt.
 D: Physical sample for approval is possible with acceptance of surcharge of € 50,00
 E: We are not able to match Pantone color on woven side label.
 F: Size of the bag will be 45 cm x 68 cm when assembled.

Pouch outside

345x240mm



Pouch inside



700x120mm



Top left

700x120mm



Top right

850x230mm



Bottom bag